

SEU SERIES

Water Temperature Control Unit



Technical Specifications

SEU Series Water Temperature Control Units utilize a robust design for even the most demanding applications. These highly featured products provide a leaving water temperature up to 250°F (121°C) and offer an option to reach up to 300°F (148.9°C) leaving water temperature. The tight temperature control of $\pm 1.5^\circ\text{F}$ (0.8°C) allows for more efficient production through increased temperature consistency and control. With a wide range of communication options, the Sterling SEU is the right choice for your application needs.

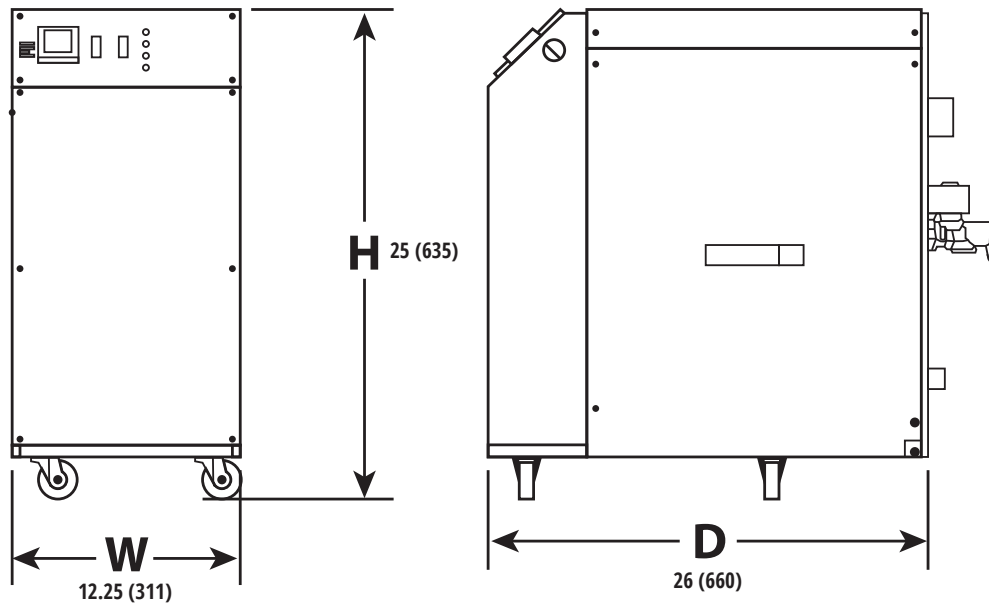
Features

Standard Features

- 1/16 DIN temperature controller with Process and Setpoint LED readouts
- Graphic control panel with indicator and warning lights
- Compact cabinet with 1.5" casters
- Immersion heater with IEC contactor
- Integrated motor circuit protector
- 3/4" water supply, 1.5" process connections, valve size matches drain size
- 150 psi (10.3 bar) pressure relief valve
- Independent high temperature safety thermostat
- Adjustable low supply water pressure switch, factory set at 16 psig (1.1 bar)
- 3/4 hp through 7.5 hp cast iron process pumps with SICB/ carbon mechanical seals
- Automatic vent sequence
- 1 year warranty on parts and labor at the factory
- 3 year warranty on controller

Optional Features

- 12 kW heater
- 300°F operation; includes silicon carbide seal (requires 55 psi minimum water supply pressure)
- Manual bypass
- Pressure regulator/relief valve for water supply, shipped loose
- Pressure gauges (shipped loose)
- Y-strainer
- Hammer arrestor
- Quick cool switch
- 1/2" and 3/4" slow-closing cooling solenoid valve
- Auto system water purge (mold purge), shipped loose
- General fault audible/visual alarm
- Remote start/stop
- Communications – RS232, RS485, RS485 SPI*
- Ten foot power cord; no plug, shipped loose
- Rotary through-the-door disconnect switch
- UL/cUL-listed subpanel

Product Diagrams

Specifications

Pump HP (kW)	Flow gpm (lpm)	Pressure psig (bar)	FLA, 9 kW @ 460/3/60	FLA, 12 kW @ 460/3/60	Height in. (mm)	Width in. (mm)	Depth in. (mm)	Ship. weight lbs. (kgs).
0.75 (0.56)	30 (114)	25 (1.7)	12.7	16.5	25 (635)	12.25 (311)	26 (660)	210 (95)
1 (0.75)	35 (132)	30 (2.0)	13.1	16.9	25 (635)	12.25 (311)	26 (660)	210 (95)
2 (1.49)	50 (189)	30 (2.0)	14.7	18.5	25 (635)	12.25 (311)	26 (660)	210 (95)
3 (2.24)	60 (227)	40 (2.7)	16.1	19.9	25 (635)	12.25 (311)	26 (660)	210 (95)
5 (3.73)	75 (284)	54 (3.7)	18.9	22.7	25 (635)	12.25 (311)	26 (660)	240 (109)
7.5 (5.6)	90 (341)	63 (4.3)	22.3	26.1	25 (635)	12.25 (311)	26 (660)	240 (109)