

SPD SERIES

Vacuum Pumps



Technical Specifications

The SPD Vacuum Pumps allow for the conveying of free-flowing pelletized plastic materials and regrind using vacuum receivers integrated into a central conveying system. SPD pumps are designed for 24 hour, continuous operation and are recommended for most conveying applications. Sterling is able to provide several types of ultra-compact vacuum power units to suit your conveying needs.

The SPD Series uses a high efficiency, positive-displacement vacuum pump and can be utilized to convey pellets and regrind over long distances up to 500 equivalent feet.

SPDB vacuum pumps have the same features as the SPD but include an exclusive non-reversing air valve system to reverse air flow and clean the pump filter.

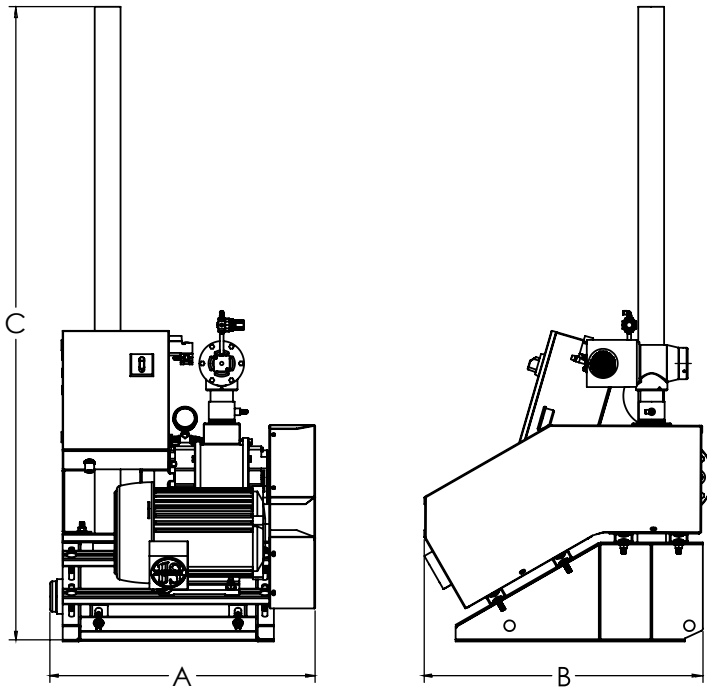
Features

Standard Features

- Ultra compact design
- Positive displacement vacuum pump
- High efficiency blower design
- Atmospheric relief valve
- Vacuum gauge on pump for visual indication of system performance
- 230/4/60 or 460/3/60 totally enclosed (TEFC) motor
- ROOTS™ WHISPAIR™ blower design
- Integral discharge silencer
- Non-reversing air valve (APDB models only)
- High vacuum safety switch
- Mechanical high vacuum relief valve for ensured safe operation
- NEMA 12 junction box with disconnect, starter, and overload mounted on the unit

Optional Features

- Sound enclosure
- Secondary silencer
- Purging capability
- Closed loop conveying valve
- Optional Special voltage:
 - 220/3/50
 - 380-415/3/50
 - 208/3/60
 - 575/3/60

Product Diagrams


Models	A	B	C
	in. (mm)	in. (mm)	in. (mm)
SPD(B) 5	100 (2540)	31 (787)	31 (787)
SPD(B) 7.5			
SPD(B) 10			
SPD(B)10			
SPD(B) 15			
SPD(B)15			
Sound Enclosure	43 (109)	40 (102)	38 (96)

Specifications

Models	Air Flow		460V Power Unit		Vacuum Line Size	Material Line Size	Recommended Vacuum Lines		Full Load Amps		
	cfm	cmh	HP	kW	In., OD	In., OD	cu.ft	liters	230V	460V	575V
SPD(B) 5	120	203	5	3.7	2	2	0.2, 0.4, 0.8, 1.6	6, 11, 23, 45	13.4	6.7	5.4
SPD(B) 7.5	155	263	7.5	5.6	2.5	2.5	0.8, 1.6	23, 45	20.6	10.3	8.2
SPD(B) 10	200	339	10	7.5	2.5	2.5	1.6, 3, 6	45, 85, 170	28.4	14.2	11.4
SPD(B)10	225	381	10	7.5	3	3	1.6, 3, 6	45, 85, 170	29.2	14.6	11.7
SPD(B) 15	300	508	15	11.2	3	3	3, 6	85, 170	38.4	19.2	15.3
SPD(B)15	360	610	15	11.2	3.5	3.5	3, 6	85, 170	39.2	19.6	15.7

Maximum recommended conveying distance: 500 equivalent feet