

SPD SERIES

20-30HP Vacuum Pumps



Technical Specifications

SPD Series vacuum pump uses a positive displacement blower and is intended to convey pellets and regrind over long distances. It features continuous conveying with atmospheric relief for high conveying rates, vacuum gauge on pump for monitoring vacuum level, and high vacuum relief for safe operation.

Available in 20-30 hp models.

Features

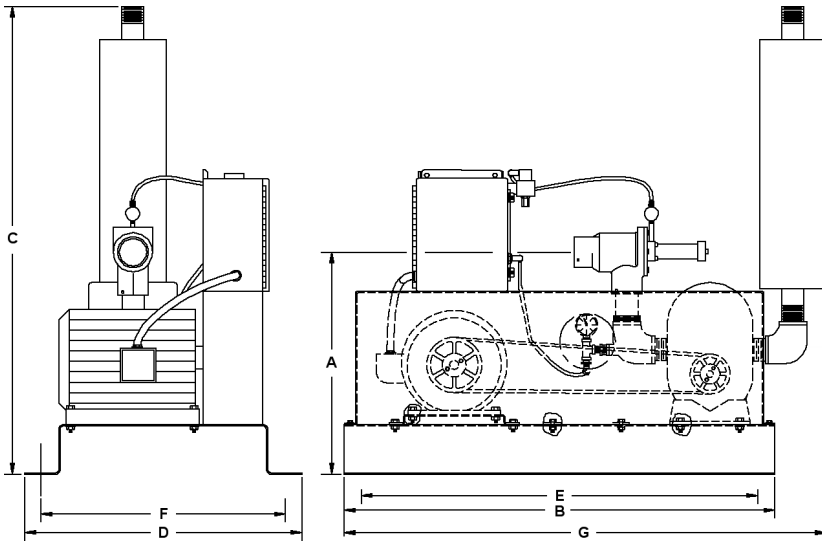
Standard Features

- Positive displacement blower
- 460/3/60 totally-enclosed fan-cooled (TEFC) motor
- Atmospheric vent valve
- Adjustable motor mount
- NEMA-12 junction box with starter mounted on unit
- Vacuum gauge
- Mechanical high vacuum relief valve
- High vacuum safety switch
- Premium discharge silencer

Optional Features

- Sound enclosure
- Fused disconnect
- NEMA 4 junction box
- 208/3/60, 230/3/60, 380/3/50, 415/3/50, 575/3/60 voltage
- Re-sheave power unit
- Self-cleaning cyclone/cartridge combination filter is also available with optional compressed air cleaning
- Retrofit junction box to convert old-style or other manufacturers' vacuum power units to use new VacTrac controllers. Specify HP and voltage when ordering

Product Diagrams



Model	Recommended Vacuum Receivers cu. ft. (l)
SPD20	3.0, 6.0 (84.9, 169.9)
SPD30	3.0, 6.0 (84.9, 169.9)

Model	A in. (cm)	B in. (cm)	C in. (cm)	D in. (cm)	E in. (cm)	F in. (cm)	G in. (cm)
SPD20	32 (81)	56 (142)	65 (178)	32.5 (82)	53 (134)	31 (79)	60 (167)
SPD30	38 (97)	50 (127)	85 (216)	37.25 (95)	48.25 (123)	35.75 (91)	69.3 (176)

Specifications

Model	HP (kW)	Line Size OD in. (mm)	Air Flow cfm (cmh)	Amp Draw 230V	Amp Draw 460V	Amp Draw 575V	Shipping Weight lbs. (kg)
SPD20	20 (14.9)	4 (101.6)	475 (805)	49.6	24.8	19.8	1600 (727)
SPD30	30 (22.4)	5 (127)	665 (1127)	76.3	38.1	30.4	1700 (789)