

# SF SERIES

## Fiberglass Cooling Towers



## Technical Data Sheet

The SF Series Cooling Towers offer unparalleled corrosion resistance, energy efficiency, and performance. For cooling requirements at 85°F (29.4°C) and above, water consumption may be reduced by 98.5% through the use of cooling towers to remove process heat. Sterling Cooling Tower Systems are used wherever a reduction in water usage, water costs, and/or control of mineral precipitation associated with cooling towers is desired.

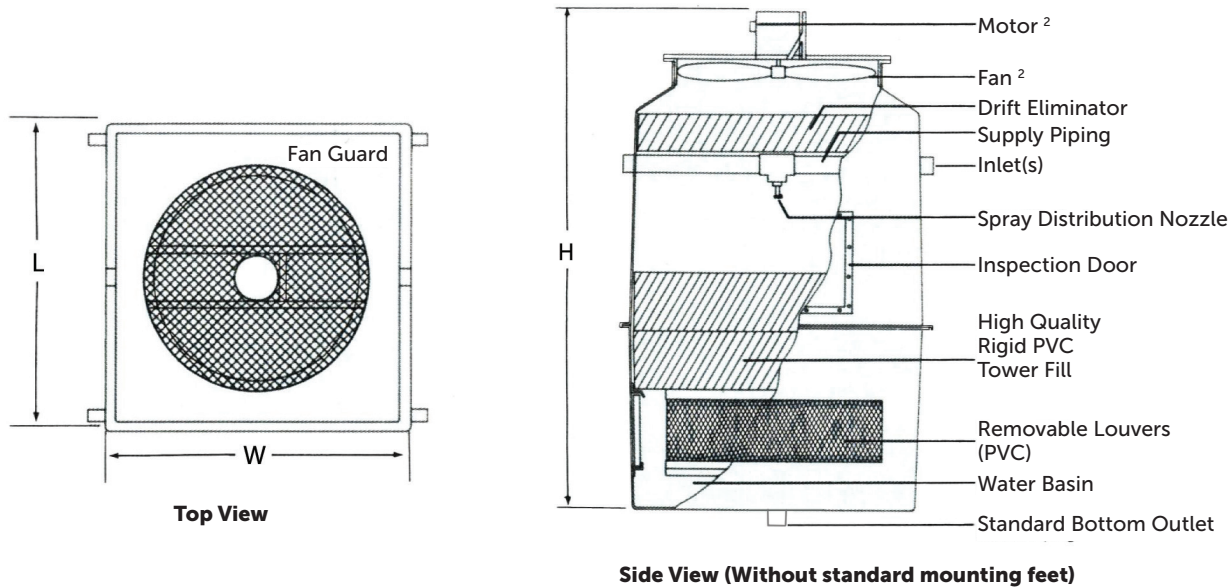
### Features

#### Standard Features

- High efficiency induced-draft design
- Balancing valve and pressure gauge
- Factory-tuned fan blade pitch
- PVC fill and Drift eliminators with ultraviolet (UV) protection
- Totally-enclosed non-ventilated TENV energy-efficient fan motor
- Vertical air discharge
- Large inspection/access door
- Anti-clog ABS nozzle(s)
- Stainless steel hardware
- Bottom outlet (requires a 24" [61 cm] - minimum support base under the tower)
- Lightweight non-corrosive fiberglass shell with fiberglass side seams
- Exterior gel coat/UV inhibitor
- 2 year warranty on parts
- 1 year on fan motors
- 1 year warranty on labor (North America only)
- 10 year shell warranty

#### Optional Features

- 460/3/60 or 230/3/60 starter package, including starter, on/off switch, thermostat, and well (consult factory for 208V or 575V)
- Basin reservoir, to be used where the basin of the tower serves as a reservoir. It is not necessary to purchase this package where an inside reservoir is used. The parts consist of a 0.75" automatic float valve, water outlet basket strainer, and overflow connection (Not recommended for bottom outlet towers).
- Heater, used with basin reservoir option to guard against freeze-up when system is shut down. Includes heater and low water heater shut off
- Factory startup, including checking motors, flow, adjusting nozzles. Towers must be installed and connected, including all piping and electrical hookups before Sterling arrives on site.
- Access ladder, meets OSHA requirements (shipped loose for field installation)
- Side outlet configuration available at no charge

**Product Diagrams**

**Specifications**

Model	Capacity, <sup>1</sup> tons (kcal/hr)	Fan motor, hp (kw)	Amp draw, 460/3/60	Water inlet dia., in. (mm)	Water outlet dia., in. (mm)
SF2003	50 (189,000)	2 (1.5)	3.4	4 (102)	4 (102)
SF2004	75 (283,500)	5 (3.7)	7.6	2 @ 4 (102)	6 (152)
SF2005	100 (378,000)	5 (3.7)	7.6	2 @ 4 (102)	8 (203)
SF2007	125 (472,500)	5 (3.7)	7.6	2 @ 4 (102)	8 (203)
SF2009	150 (567,280)	10 (7.5)	14	2 @ 4 (102)	8 (203)
SF2011	175 (661,500)	10 (7.5)	14	2 @ 4 (102)	8 (203)
SF2015	200 (756,000)	15 (11.2)	21	2 @ 4 (102)	8 (203)

<sup>1</sup> Cooling capacity based upon 15,000 BTUH (3,780 Kcal/h) per ton, 3 GPM (11.35 lpm) per ton, 95°F (35°C) inlet water, 85°F (29°C) outlet, and 78°F (26°C) wet bulb air temperature.. Consult factory for other requirements.

Model	Length (L) in. (cm)	Width (W) in. (cm)	Height (H) in. (cm)	Ship weight, lbs. (kgs).	Operating weight, lbs. (kgs).
SF2003	64 (163)	64 (163)	104 (264)	600 (273)	1300 (591)
SF2004	64 (163)	64 (163)	125 (318)	750 (341)	1700 (772)
SF2005	82 (208)	82 (208)	121 (307)	1400 (636)	2900 (1317)
SF2007	82 (208)	82 (208)	121 (307)	1500 (681)	3200 (1453)
SF2009	100 (254)	100 (254)	123 (313)	1950 (886)	3800 (1726)
SF2011	100 (254)	100 (254)	123 (313)	2100 (954)	4400 (1998)
SF2015	100 (254)	100 (254)	124 (315)	2600 (1181)	5200 (2361)

<sup>2</sup> Fan blade/motor assembly ships loose for field mounting by others.