



SDA SERIES

High Capacity Dryer

Technical Specifications

SDA Series High Capacity Dehumidifying Dryers feature twin plenum chambers in each tower for even air flow across desiccant beds.

The dryer is built around a user-friendly control platform designed to meet the most demanding applications. The unit provides a compact frame with minimum moving parts, easy accessibility for maintenance, and a small footprint. Optimal desiccant utilization guarantees lowest dew point.

Skid mounted construction lowers rigging, installation, and maintenance costs. Every dryer is factory-tested before shipment to assure reliable performance for years to come.



Features

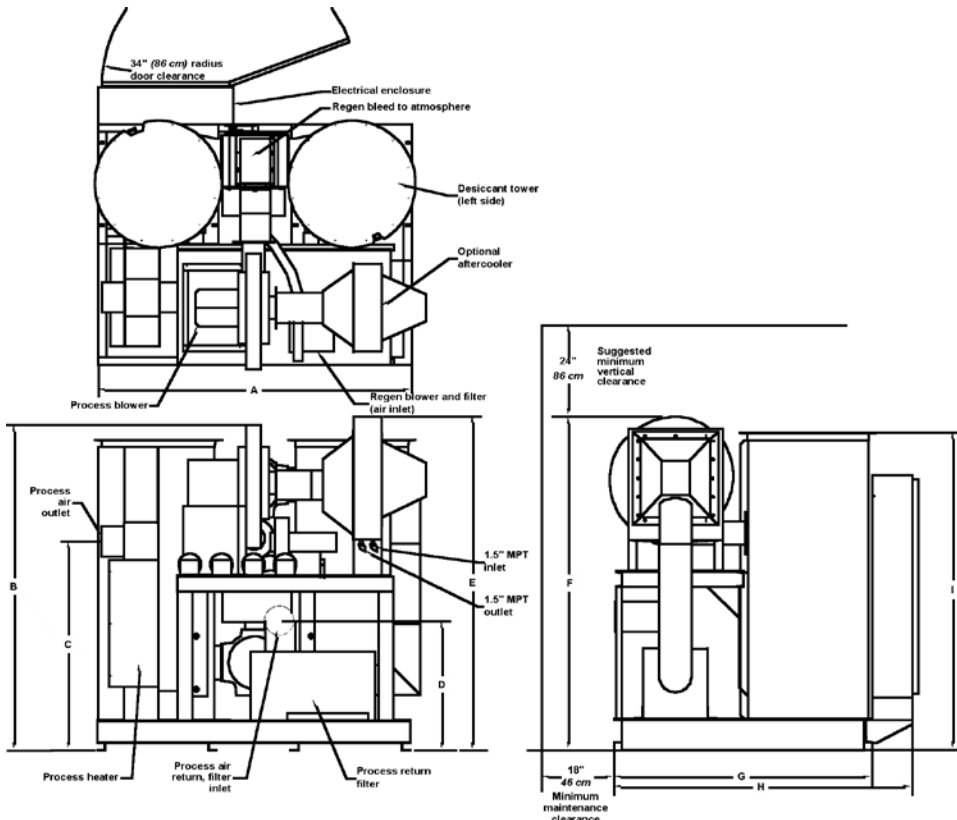
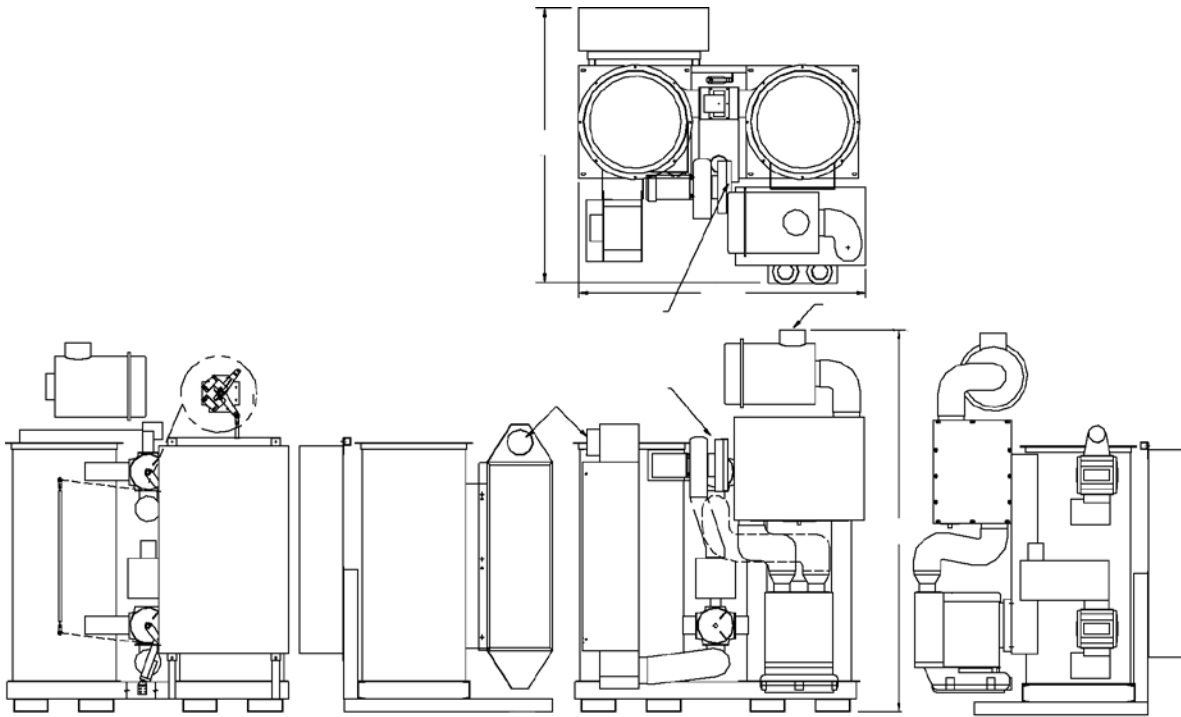
Standard Features

- 160°F to 300°F (71°C - 149°C) drying temperature range
- 400 to 700 lbs/hour (181 to 318 kg/hour)
- NEMA 12 Control Enclosure
- Sequence shutdown switch
- PLC based controller
- LED readout of set point and process temperatures
- Alarms for:
 - High dew point
 - Dirty filter
 - High/Low Process Temperature
 - High/Low Regeneration Air Temperature
 - Blower Failure
- Process and regeneration air filters
- 4 way air-actuated cast aluminum valves
- 460/3/60 supply voltage

Optional Features

- High temperature operation up to 400°F (204°C)
- Disconnect switch with door-mounted handle
- Heater burnout indicator
- Pre-cooler for low temperature applications
- After-cooler for high temperature applications
- Plasticizer trap
- Valve positioning error alarm
- Return air temperature digital display
- Additional voltages available
- External communication: SPI protocol dual ports, or NX protocols types RS-232C/422/485 single port

Product Diagrams



Specifications

Model	Length in (cm)	Width in (cm)	Height in (cm)	Shipping Weight lbs (kg)
SDA350	56 (142)	56 (142)	73 (185)	1000 (455)
SDA425	61 (155)	52 (132)	82 (208)	1100 (500)
SDA500	63 (160)	66 (168)	94 (239)	1200 (545)

Model	Drying Temperature Range	Throughput Rate	Airflow cfm (cfh)	Hose Connection Diameter in (mm)	FLA	Process Blower	Regen. Blower
					460/30/60	hp (kW)	hp (kW)
SDA600	160° to 300°F 71° to 149° C	400 to 700 lbs/hour 181 to 318 kg/ hour	350 (595)	4 (101)	54	5 (3.73)	0.5 (0.37)
SDA720			425 (720)	5 (127)	55		
SDA850			500 (800)		72	7.5 (5.6)	

Remote-Mount Dew Point Monitors

Operating Range	
DPM 20	-40F to 10F (-40C to -24C)
DPMS	-80F to -20F (-62C to -29C)

SDA-RT High Temp. Models

High Temperature Models Amp Draw	
SDA 350-RT	64
SDA 500 -RT	75

After-Coolers and Pre-Coolers

Model	After-Cooler	Water Flow gpm (lpm)	Fitting Size in (mm)	Shipping Weight lbs (kg)
SDA600	AFT350	7 (36)	0.75 (19)	100 (46)
SDA720	AFT425	10 (37)	1 (25)	120 (55)
SDA850	AFT500			

AFT350 through AFT500 models come standard with mild steel housing, cooper/steel fin and coil heat exchanger and flexible hose and clamps. Aftercoolers are used in high temperature drying applications when process temperatures are above 250F (121C). Precoolers are used in low temperature drying applications to hold consistent process temperatures below 170F (77C).
*Aftercoolers and Pre-coolers are mounted to the frame and do not increase dryer size.