

# SBFC SERIES

## Blown Film Coolers



## Technical Specifications

SBFC Series Blown Film Coolers boost productivity by eliminating production variables. Fully-engineered chilled water coil assemblies deliver air ring cooling at constant temperature, pressure, and volume.

SBFC Series blown film coolers have a leaving air temperature range of 40°F to 50°F (5°C to 10°C). Higher leaving air temperature options may be available after additional engineering consultation. Today's competitive blown film business calls for consistent, high-quality product and increased productivity, especially in warmer climates or during the summer months.

## Features

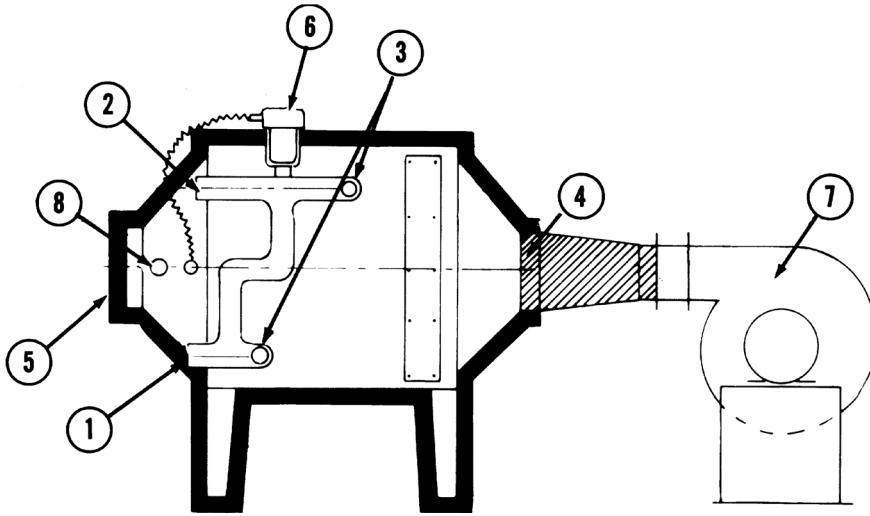
### Standard Features

- Leaving air temperature range of 40°F to 50°F (5°C to 10°C)
- Condensate trap
- Insulated heavy gauge steel cabinet designed for 35" (8.7 kPa) static pressure
- Dial thermometers for discharge air and chilled water supply/return
- Air inlet and outlet adaptors copper tube aluminum fin chilled water cooling coil
- Insulated drip pan
- Permanent filter
- 230/3/60 or 460/3/60 voltages
- 1 year warranty on parts and labor

### Optional Features

- Pre-piped, automatic 3-way chilled water control valves for tighter control of leaving air temperature
- Complete motor controls, including factory wired starter and on/off switch
- 16" or 25" static pressure fans

## Product Diagrams



1. Chilled water in
2. Chilled water out
3. Chilled water thermostats
4. Air inlet
5. Air outlet
6. 3-way valve
7. Blower
8. Air outlet thermometer

## Specifications

Model	Air flow rated hp/kW cfm (cmh) <sup>1</sup>	Base model shipping weight, lbs. (kg)	"B" models: (base unit plus 16" static pressure fan section with damper)		"BH" models: (base unit plus 35" static pressure fan section with damper)	
			Fan motor power, hp (kW)	Ship weight, lbs. (kg)	Fan motor power, hp (kW)	Ship. weight, lbs. (kg)
SBFC600	600 (1019)	440 (205)	3 (2.24)	570 (265)	7.5 (5.60)	1030 (478)
SBFC1000	1000 (1699)	440 (205)	5 (3.73)	570 (265)	10 (7.46)	1030 (478)
SBFC1500	1500 (2548)	690 (321)	7.5 (5.60)	890 (413)	15 (11.19)	1325 (615)
SBFC2000	2000 (3398)	740 (344)	10 (7.46)	965 (448)	20 (14.92)	1465 (680)
SBFC3500	3500 (5946)	1260 (585)	20 (14.92)	1710 (794)	40 (29.84)	2365 (10980)
SBFC5000	5000 (8495)	1880 (873)	30 (22.38)	2465 (1144)	60 (44.76)	3165 (1469)

Model	Nominal cooling required, tons (Kcal/hr)	Die Max. dia., in. (cm)	Chilled Water In/Out Diameter (NPT), in. (mm)	Air Inlet/Outlet Diameter, in. (mm)
SBFC600	7.3 (22075)	5 (12.7)	1 (25)	10 (254)
SBFC1000	12.1 (36590)	18 (45.7)	1.25 (32)	
SBFC1500	18.2 (55037)	30 (76.2)	1.5 (38)	14 (356)
SBFC2000	24.2 (73181)	40 (101.6)	2 (51)	
SBFC3500	42.4 (128217)	60 (152.4)	2.5 (64)	16 (406)
SBFC5000	60.5 (182952)	80 (203.2)	2.5 (64)	18 (457)

Dimensions	Base Unit, in. (cm)			"B" Models, in. (cm)			"BH" Models, in. (cm)		
	Model	Width	Length	Height	Width	Length	Height	Width	Length
BFC600	48.0 (122)	49 (125)	58 (147)	48.0 (122)	96 (244)	58 (147)	48.0 (122)	96 (244)	58 (147)
BFC1000	48.0 (122)	49 (125)	58 (147)	48.0 (122)	96 (244)	58 (147)	48.0 (122)	96 (244)	58 (147)
BFC1500	49.0 (124)	42 (107)	54 (137)	49.0 (124)	90 (224)	54 (137)	49.0 (124)	90 (224)	54 (137)
BFC2000	49.0 (124)	48 (122)	66 (168)	49.0 (124)	96 (244)	66 (168)	49.0 (124)	96 (244)	66 (168)
BFC3500	59.0 (150)	61 (155)	78 (198)	59.0 (150)	121 (308)	71 (181)	59.0 (150)	121 (308)	78 (198)
BFC5000	64.0 (163)	70 (178)	89 (201)	64.0 (163)	130 (331)	89 (226)	64.0 (163)	130 (331)	89 (226)