

# BTP SERIES

## Beside-the-Press Granulator



## Technical Specifications

BTP Series Beside-the-Press Granulators offer solutions for processing edge trim, runners, and rejects in a compact footprint. BTP Series Granulators are offered in a range of sizes and throughput to deliver the right solution for your process.

### Features

#### Standard Features

- 3 knife open rotor design for efficient size reduction
- Rotating end discs for minimized friction and low heat granulation
- NEMA 12 controls
- 3/16", 1/4", 5/16", 3/8" screens
- Safety interlocks
- Low-profile, sound attenuated infeed system
- Machined, bolted cutting chamber for simplified cleaning
- Drop-down screen cradle for quick removal and maintenance

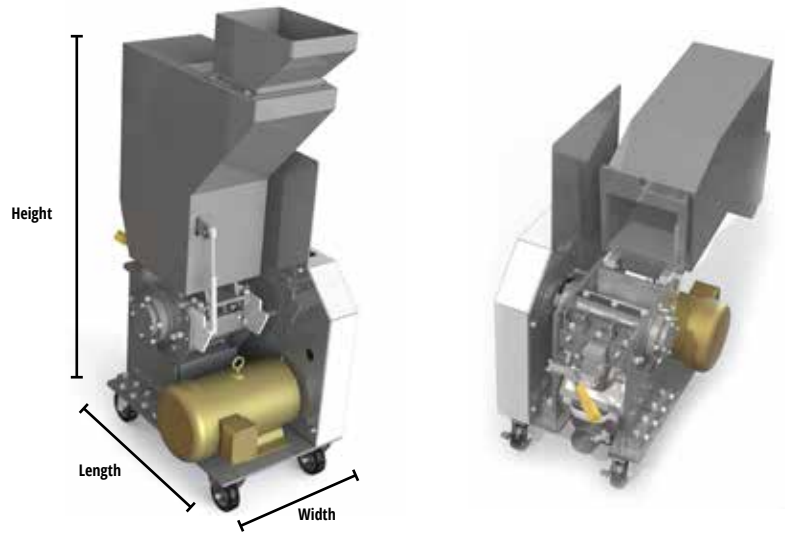
#### Optional Features

- Vacuum take off bins
- Special Infeeds

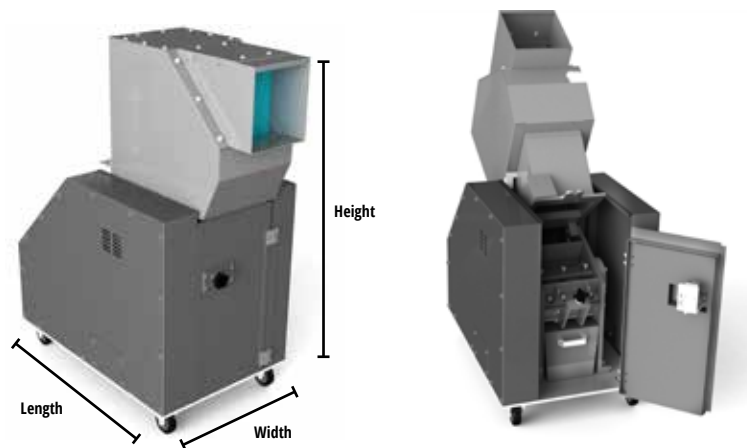
#### Typical Applications

- Injection molded runners and reject parts
- Blow-molded parts and tops/tails
- Extruded tubes and profiles
- Edge trims from sheet extrusion

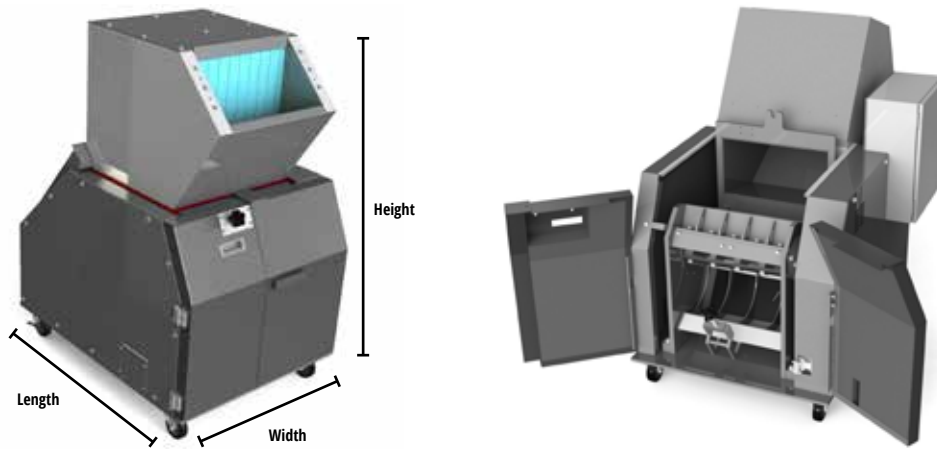


**65 Series**


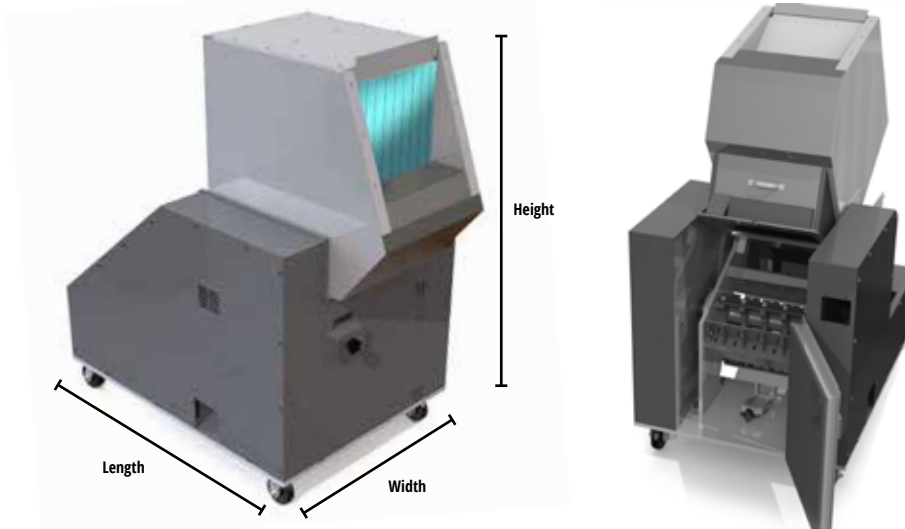
Model	Cutting Chamber	Infeed Height	Throughput	Standard Motor	Dimensions (W x L x H)	Weight
6508	6.5" x 8" (16cm x 20cm)	52.50" (1334mm)	100 lbs/hr (40 kg/hr)	5hp (3.75 kW)	20" x 27" x 52" (52cm x 70cm x 130cm)	510 lbs (230 kg)
6512	6.5"x12" (16cm x 30cm)	52.50" (1334mm)	150 lbs/hr (60 kg/hr)	5hp (3.75 kW)	24" x 27" x 52" (62cm x 70cm x 130cm)	530 lbs (240 kg)
6516	6.5"x16" (16cm x 40cm)	52.50" (1334mm)	200 lbs/hr (80 kg/hr)	5hp (3.75 kW)	28" x 27" x 52" (72cm x 70cm x 130cm)	550 lbs (250 kg)

**BP 800 Series**


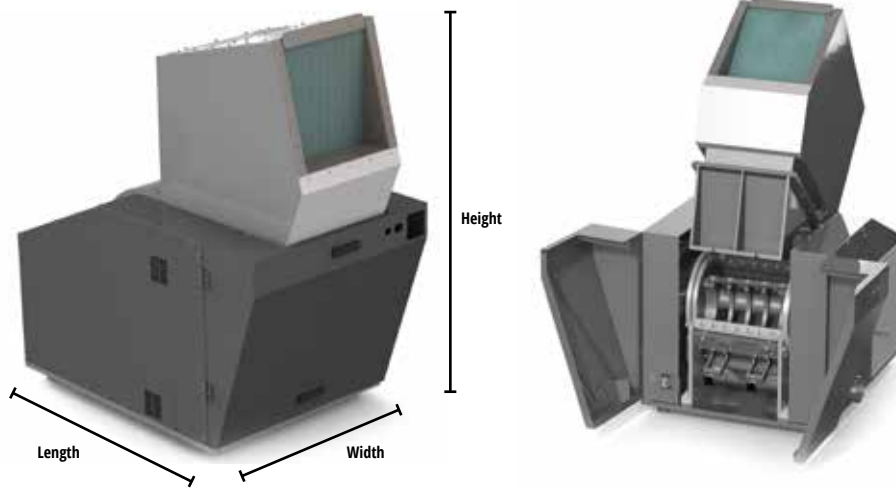
Model	Cutting Chamber	Infeed Height	Throughput	Standard Motor	Dimensions (W x L x H)	Weight
BP810	8"x10" (20.3cm x 25.4cm)	47.7" (1212mm)	123 lbs/hr (58kg/hr)	10hp (7.5 kW)	30.3" x 45" x 59.4" (77cm x 114.4cm x 150.7cm)	1220 lbs (553 kg)
BP818	8"x18" (20.3cm x 45.7cm)	47.7" (1212mm)	221 lbs/hr (100kg/hr)	10hp (7.5 kW)	38.3" x 45" x 59.4" (97.3cm x 114.4cm x 150.7cm)	1610 lbs (730 kg)

**BP1000 Series**


Model	Cutting Chamber	Infeed Height	Throughput	Standard Motor	Dimensions (W x L x H)	Weight
BP1012	10" x 12" (25.4cm x 30.5 cm)	49.4" (1255mm)	450 lbs/hr (203 kg/hr)	10hp (7.5 kW)	29.9" x 44.5" x 58.3" (75.9cm x 113cm x 148cm)	1275 lbs (579 kg)
BP1018	10" x 18" (25.4cm x 45.7cm)	49.4" (1255mm)	550 lbs/hr (248 kg/hr)	15hp (11.2 kW)	35.9" x 44.5" x 58.3" (91.1cm x 113cm x 148cm)	1440 lbs (655 kg)

**BP1200 Series**


Model	Cutting Chamber	Infeed Height	Throughput	Standard Motor	Dimensions (W x L x H)	Weight
BP1212	12"x12" (30.5cm x 30.5cm)	53" (1346mm)	500 lbs / hr (227 kg/hr)	15 hp (11.2 kW)	36.8" x 56" x 80.3" (93.5cm x 142cm x 204 cm)	1750 lbs (794 kg)
BP1218	12" x 18" (30.5cm x 45.7 cm)	53" (1346mm)	750 lbs / hr (318 kg/hr)	20hp (15 kW)	42.8" x 56" x 80.3" (108.7cm x 142cm x 204 cm)	2300 lbs (1043 kg)

**BP1600 Series**


Model	Cutting Chamber	Infeed Height	Throughput	Standard Motor	Dimensions (W x L x H)	Weight
BP1620	16" x 20" (40.6cm x 50.8cm)	53" (1346mm)	900 lbs / hr (408 kg/hr)	20hp (15 kW)	51.3" x 71.2" x 80" (130.3cm x 180.8cm x 203.2cm)	3025 lbs (1372 kg)
BP1628	16" x 28" (40.6cm x 71.1cm)	53" (1346mm)	1500 lbs/hr (680 kg/hr)	20hp (15 kW)	59.3" x 71.2" x 80" (150.6cm x 180.8cm x 203.2cm)	3400 lbs (1542 kg)
BP1640	16" x 40" (40.6 cm x 101.6 cm)	53" (1346mm)	1800 lbs/hr (818 kg/hr)	30hp (23 kW)	71.3" x 71.2" x 80" (181.1cm x 180.8cm x 203.2cm)	4000 lbs (1818 kg)