

BATCH MIXERS SERIES

Vertical Augers



Technical Specifications

Sterling Batch Mixers provide an efficient method of obtaining a homogeneous mix of most dry materials. Our mixers excel for industries including chemicals, plastics, metals, food, and drug. This proven line of mixers handle materials including pellets, flakes, granules, and powders, each mixed and ready to process. Various mix capacities are offered in addition to various loading/discharge capabilities. Accessories are also available to meet custom process needs.

Features

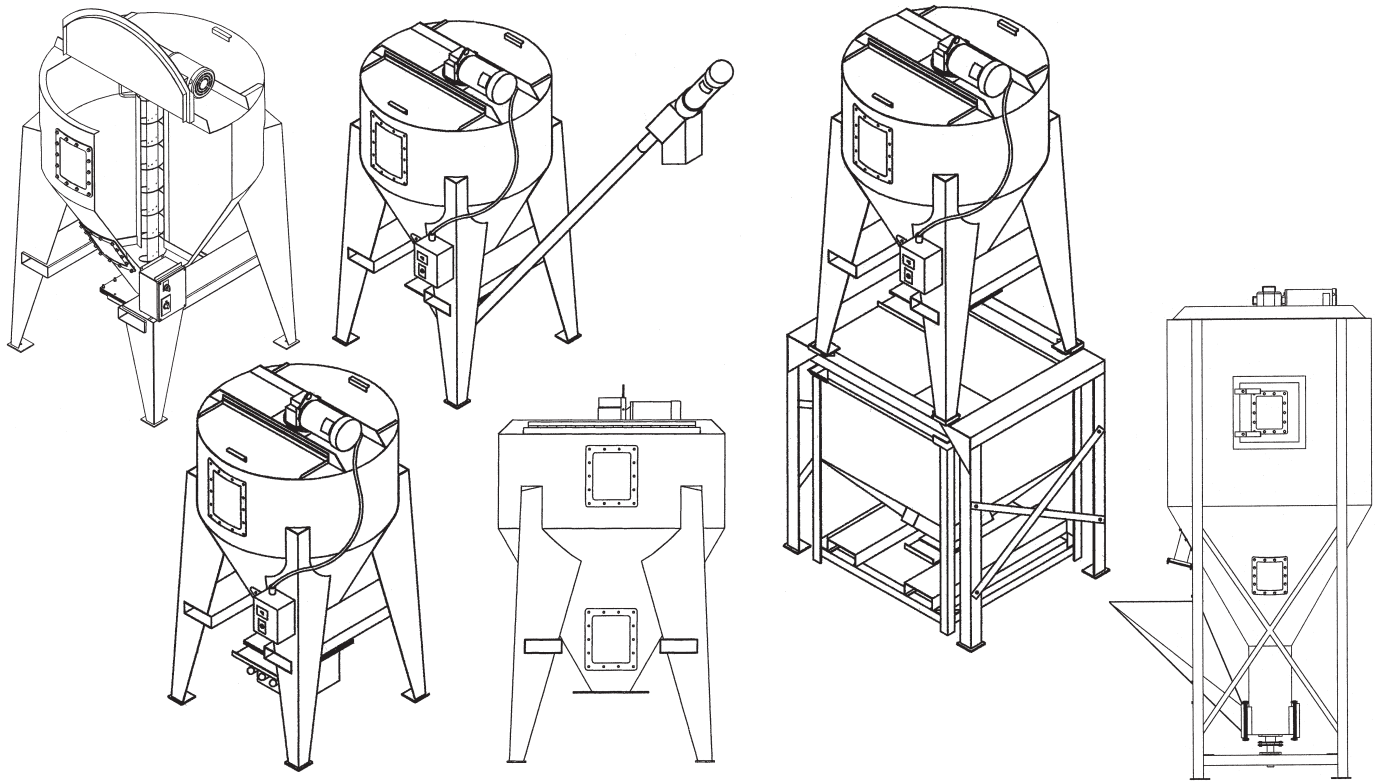
Standard Features

- Heavy Duty Industrial Auger
- 12 Gauge Construction (varies by model)
- Manual or Automatic Timers
- Nema 12 Controls
- One Piece Welded Construction
- 60° Hopper Section
- Slide Gate at Discharge
- Sidewall View Window
- Cover Adaption for Mounting
- Vacuum box with one 2" outlet (varies by model)
- Vacuum Receiver Lid (varies by model)
- Painted Warm Gray

Optional Features

- Various Materials of Construction
- Special Paint
- Lift Off Top and Auger Assembly for Cleanout (varies by model)
- Larger Diameter Mixing Auger (varies by model)
- Cutouts for Mounting Vacuum Receivers (varies by model)
- Stands for Gravity discharge
- Side loading chutes for additives (varies by model)
- Top loading chutes for box dumper loading (varies by model)
- Additional view windows
- Prox-lock out
- Inside service ladder (varies by model)
- Custom Extended legs for container fill (varies by model)
- Vacuum distribution box or auger discharge (varies by model)
- Custom bottom loading chutes for box dumper loading

Product Diagrams



Specifications

Capacity, cu. ft.	Dia., in.	OAH, in.	Loading Height, in.	Hopper	Motor	Footprint, in.
10	48	52	38	60°	120V, 1 ph, 1-1/2 HP	44
24	48	64	51	60°	120V, 1 ph, 1-1/2 HP	44
31	48	71	58	60°	120V, 1 ph, 1-1/2 HP	44
44	48	82	70	60°	120V, 1 ph, 1-1/2 HP	44
80	60	100	86	60°	480V, 3 ph, 2 HP	54
100	60	110	96	60°	480V, 3 ph, 2 HP	54
Whirlwind mixer						
30	40	97	91	60°	480V, 3 ph, 3 HP	36
50	52	95	87	60°	480V, 3 ph, 5 HP	46
70	61	109	101	60°	480V, 3 ph, 7.5 HP	44
100	61	132	125	60°	480V, 3 ph, 7.5 HP	44
132	69	133	125	60°	480V, 3 ph, 7.5 HP	51
214	88	CF	155	60°	480V, 3 ph, 25/30 HP	70.5
286	88	CF	174	60°	480V, 3 ph, 25/30 HP	70.5
426	88	CF	210	60°	480V, 3 ph, 25/30 HP	70.5
572	88	CF	247	60°	480V, 3 ph, 25/30 HP	70.5
714	88	CF	273	60°	480V, 3 ph, 25/30 HP	70.5