

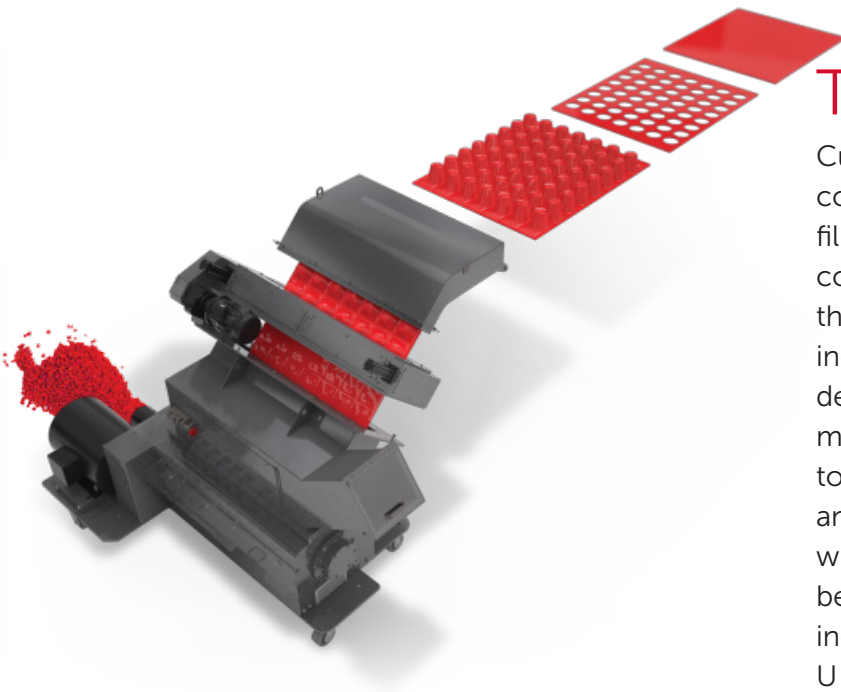


FEEDROLL SERIES

FRV | FRE

Technical Specifications

Cumberland's feedroll series are used in combination with our granulators to process sheet, film, web, and formed sheet. The Versatile feedrolls come in two versions allowing the flexibility to run thin film or large draw parts. Product enhancements include self-adjusting Delrin® strippers, robust drive design that allows reversing the roll direction, and machined end rings to prevent damage and wear to knurled rolls. Custom infeeds, feedroll widths, and dancer arm assemblies are available to match a wide variety of applications. Versatile feedrolls can be used on a variety of Cumberland's granulators including the 16 series, T50 series, 1400 series, U series, X series, and B series.



Features

FLEXIBILITY

- Ability to incorporate feedrolls with a variety of granulator models to meet your applications specific needs

EASY SET UP & MAINTENANCE

- Self adjusting and easy to set up roll stripper prevents material from wrapping
- Easily adjust minimum roll gap on air cylinder

DURABLE DESIGN

- New robust drive allows for reversing rolls in the event of a jam
- End rings protects rolls from contacting and extends roll life

Standard Features

- Smooth Rolls
- Air cylinders apply roll pressure
- Gear reduced chain driven (FRV)
- Gear reduced direct drive (FRE)

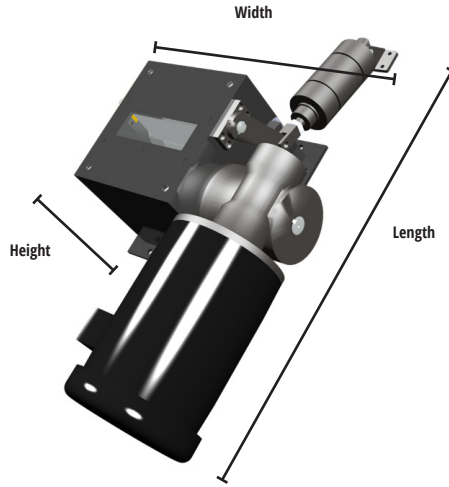
Optional Features

- Custom Feedroll Infeed Chute (Muffler)
- Custom Gear Reducers
- Dancer Bar
- Multiple Infeeds & Hoppers
- Knurled Rolls
- Custom Roll Widths



Edge FRE Series

Edge Trim Rolls	FRE-5	FRE-9
Roll Width	6" (152 mm)	10" (254 mm)
Max Sheet Width	5" (127 mm)	9" (229 mm)
Roll Diameter	3" (76.2 mm)	
Roll Finish	Smooth / Knurled	
Roll Strippers	N/A	
Motor	1/2 hp (0.37 kW)	
Feed Rate	60-135 fpm	
Roll Clamp	1 Air Cylinder	2 Air Cylinders
Max Roll Gap	1" (25.4 mm)	



Versatile FRV Series

Versatile Rolls	FRV1-36	FRV1-48	FRV1-56	FRV5-56
Roll Width	36" (914 mm)	48" (1219 mm)	56" (1422 mm)	56" (1422 mm)
Max Sheet Width	36" (914 mm)	48" (1219 mm)	56" (1422 mm)	56" (1422 mm)
Roll Diameter	5" (127 mm)			
Roll Finish	Smooth / Knurled			
Roll Strippers	Standard, Both Rolls			None
Motor	3 hp (2.2 kW)			
Feed Rate	60-125 fpm			
Roll Clamp	Air Cylinder			
Max Roll Gap	1" (25.4 mm)			5" (127 mm)

